

STATE	FEDERAL AID	STATE	SHEET NO.
VA.	PROJECT NHPP-064-3(519)	ROUTE 64	PROJECT 0064-121-418, B643
Federal Structure No. 00000000031571		FHWA Construction and Scour Code: X271-SN	
Federal Stewardship and Oversight Code: N/A		UPC No.	119824

DESIGN EXCEPTION(S):

Shoulder width 4'.

GENERAL NOTES:

Width: 65'-5" face-to-face of curb.

Span layout: 94'-0" steel plate girder span

Capacity: HL-93 loading.

Specifications:

Construction: Virginia Department of Transportation Road and Bridge Specifications, 2020.

Design: AASHTO LRFD Bridge Design Specifications, 8th Edition, 2017; and VDOT Modifications.

Standards: Virginia Department of Transportation Road and Bridge Standards, 2008; including all current revisions.

These plans are incomplete unless accompanied by the Supplemental Specifications and Special Provisions included in the contract documents.

Design loading includes 20 psf allowance for construction tolerances and construction methods.

Design loading includes 15 psf allowance for future wearing surface.

All structural steel, including bearings, shall be ASTM A709 Grade 50W and shall be painted.

Concrete in prestressed piles shall be Class A5. Concrete in superstructure, parapets and integral backwalls shall be Low Shrinkage Class A4 Modified; in piers and abutments, Class A3.

Deformed reinforcing bars shall conform to ASTM A615, Grade 60. All reinforcing bar dimensions on the detailed drawings are to centers of bars except where otherwise noted and are subject to fabrication and construction tolerances.

All reinforcing steel shall be deformed and shall conform to ASTM A615, Grade 60 except for steels noted as Corrosion Resistant Reinforcing (CRR) which shall conform to Section 223 of the Specifications. All reinforcing bar dimensions on the detailed drawings are to centers of bars except where otherwise noted and are subject to fabrication and construction tolerances.

CRR steels shall conform to one or more of the three Classes listed in Section 223 of the Specifications. The Classes of CRR steel(s) required on this project is/are noted on plan sheets and in the reinforcing steel schedule. CRR Steel, Class II or Class III may be substituted for Class I. CRR Steel, Class III, may be substituted for Class II.

Steel H-pile shall be ASTM A709 Grade 50 steel. All piles shall be driven to the required nominal axial resistance.

B.M.: XXXXX

Bridge No. of existing bridge is 2814. Plan No. is 171-08 and 171-08A.

The existing structure is designated a Type B structure in accordance with Sec. 411.

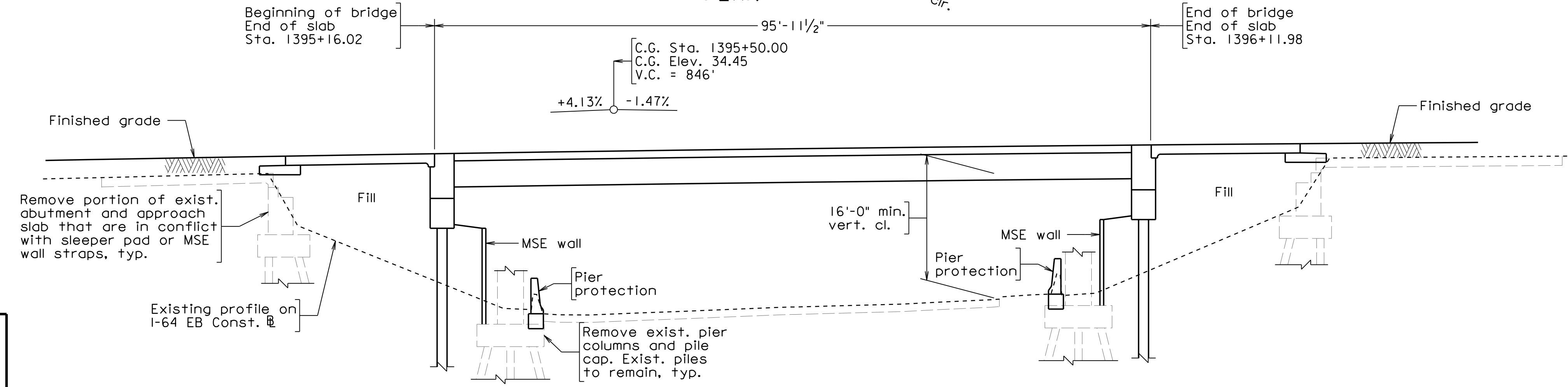
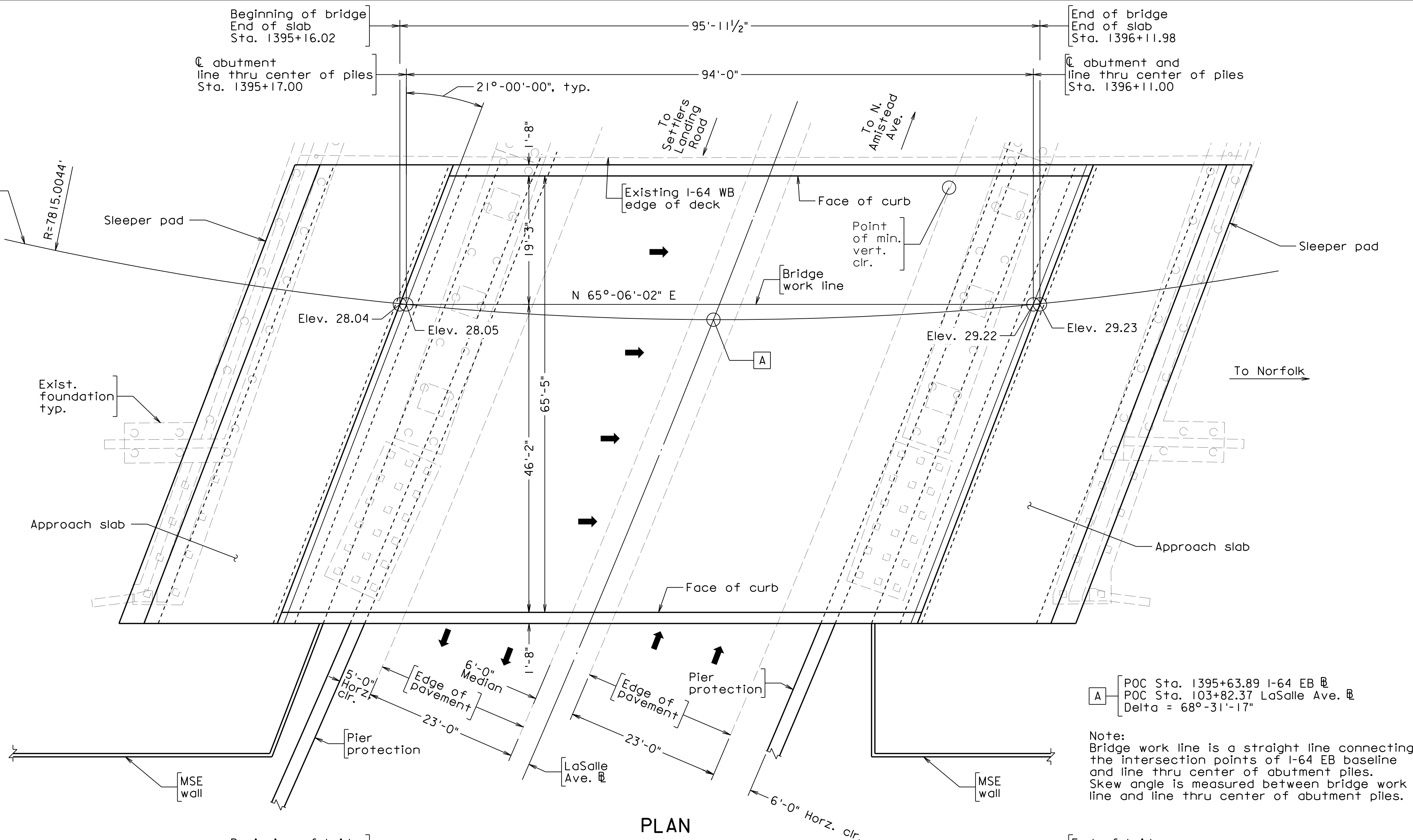

COMMONWEALTH OF VIRGINIA
DEPARTMENT OF TRANSPORTATION

PROPOSED BRIDGE ON
I-64 EB OVER LASALLE AVENUE
CITY OF HAMPTON
PROJ. 0064-121-418, B643

Recommended for Approval: _____ Developer _____ Date _____

Approved: _____ Chief Engineer _____ Date _____

I-64 EB Plan and Elevation

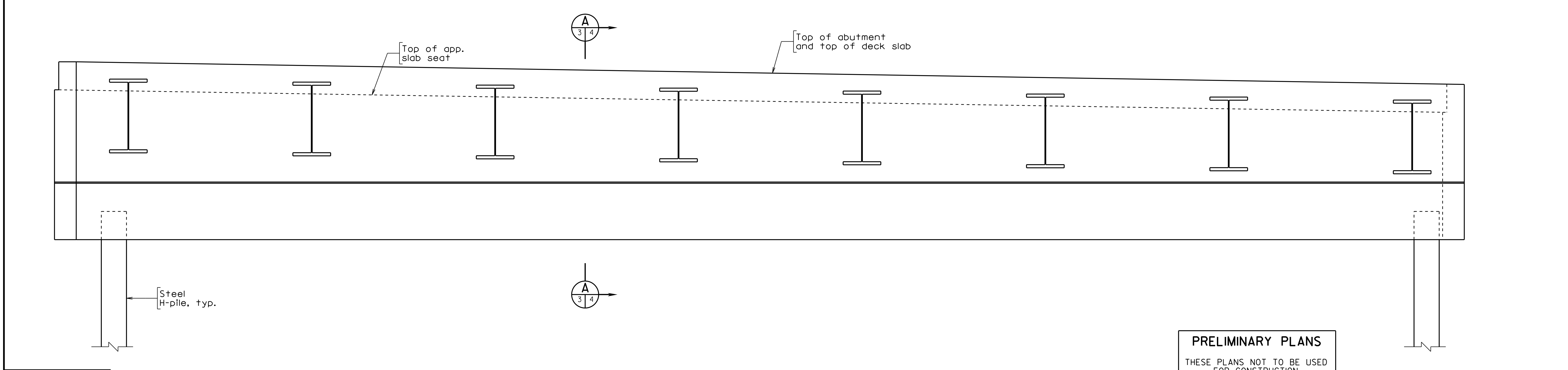
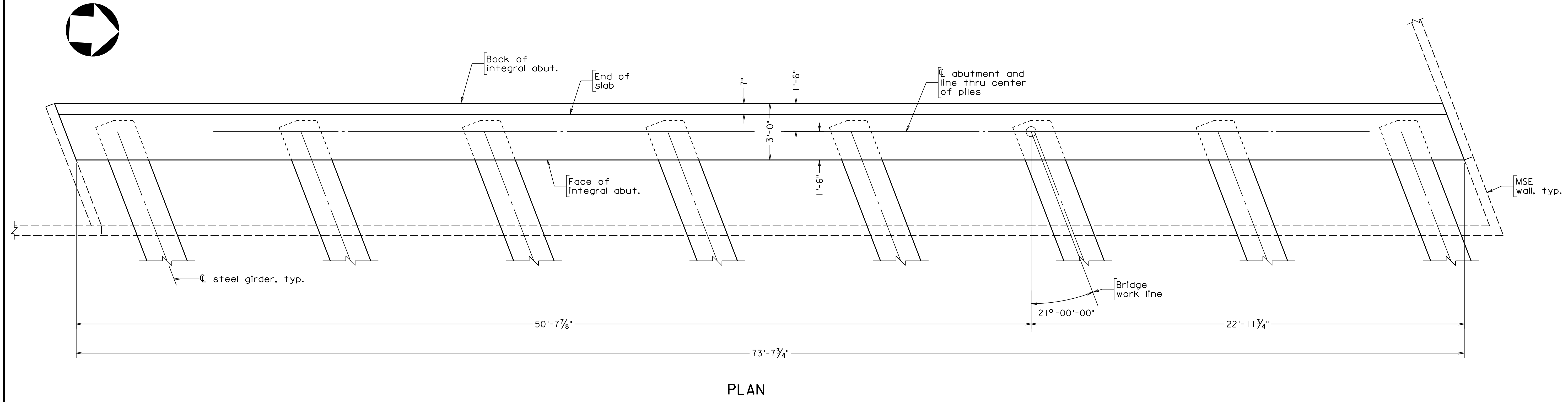


HDR Inc. Virginia Beach, VA. STRUCTURAL ENGINEER	
PLANS BY:	Consultant
COORDINATED:	XXXXX XXXXX
SUPERVISED:	XXXXX XXXXX
DESIGNED:	XXXXX XXXXX
DRAWN:	XXXXX XXXXX
CHECKED:	XXXXX XXXXX

PRELIMINARY PLANS		
THESE PLANS NOT TO BE USED FOR CONSTRUCTION		
No.	Description	Date
REVISIONS		
For Table of Revisions, see Sheet 2.		

Scale: 1" = 10'-0"

STATE	FEDERAL AID		STATE	SHEET
ROUTE	PROJECT	ROUTE	PROJECT	NO.
VA.		64	0064-121-XXX, BXXX	2



Note:
Abutment A shown, Abutment B similar.
EPS material and other details will be shown in final design.

PRELIMINARY PLANS
THESE PLANS NOT TO BE USED FOR CONSTRUCTION

COMMONWEALTH OF VIRGINIA DEPARTMENT OF TRANSPORTATION			
STRUCTURE AND BRIDGE DIVISION			
ABUTMENT A PLAN AND ELEVATION			
No.	Description	Date	Designed: MSM..... Date Drawn: Checked: EMF.....
	Revisions		Aug. 2021
			Plan No. XXX-XX
			Sheet No. 2 of 4

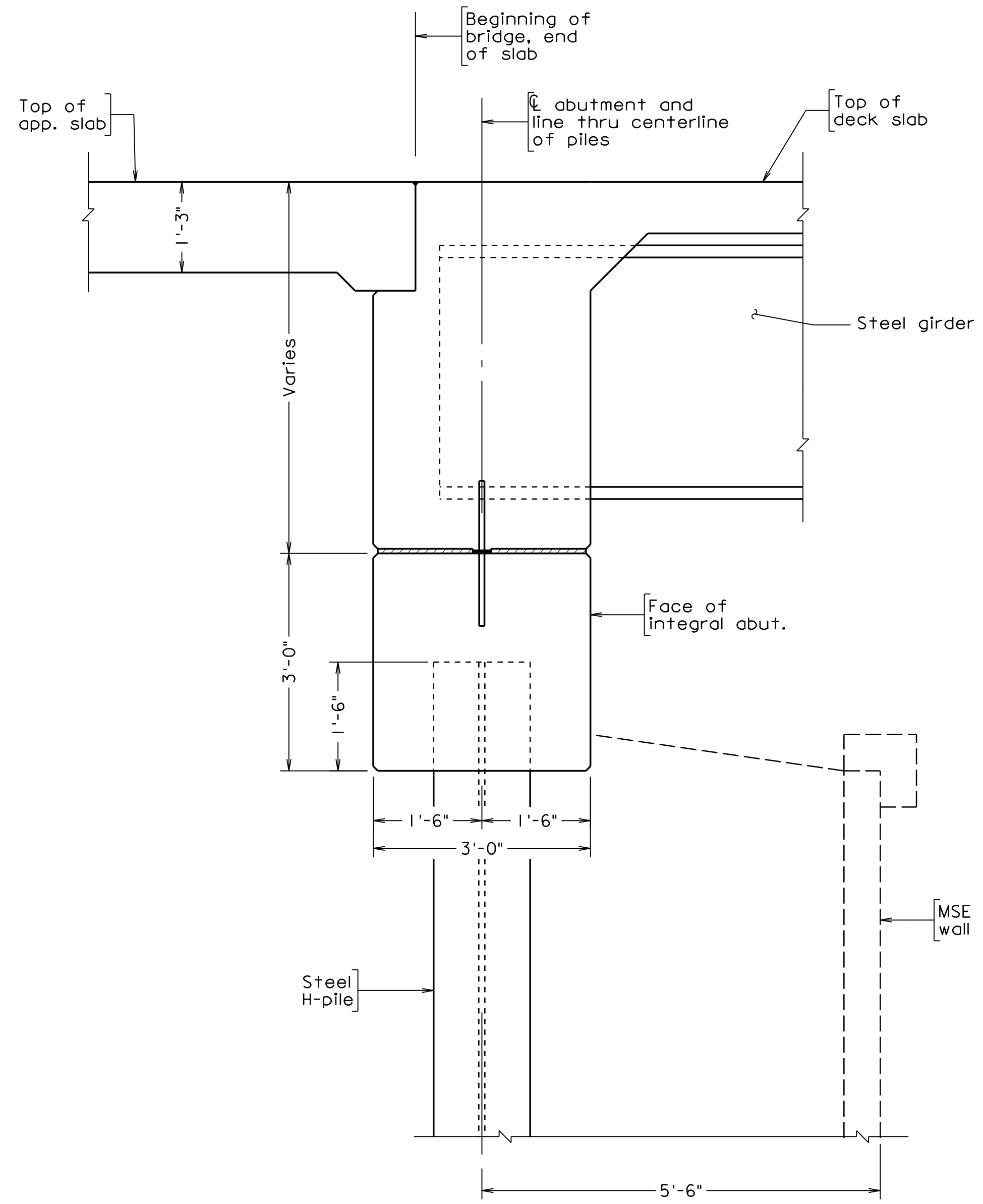
HDR Inc.
Virginia Beach, VA
STRUCTURAL ENGINEER

Scale: 3/8" = 1'-0" © 2021, Commonwealth of Virginia

I64 EB Abut. A Plan and Elevation.DGN

STATE	FEDERAL AID		STATE		SHEET
ROUTE	PROJECT		ROUTE	PROJECT	NO.
VA.			64	0064-121-XXX, BXXX	3

Notes:
EPS material and other details will be shown in final design.



SECTION A
3/4

I64 EB Abut. Sections

PRELIMINARY PLANS
THESE PLANS NOT TO BE USED FOR CONSTRUCTION

COMMONWEALTH OF VIRGINIA DEPARTMENT OF TRANSPORTATION				
STRUCTURE AND BRIDGE DIVISION				
ABUTMENT SECTION				
No.	Description	Date	Designed: MSM..... Drawn: Checked: EMF.....	Date Aug. 2021
Revisions			Plan No. XXX-XX	Sheet No. 3 of 4

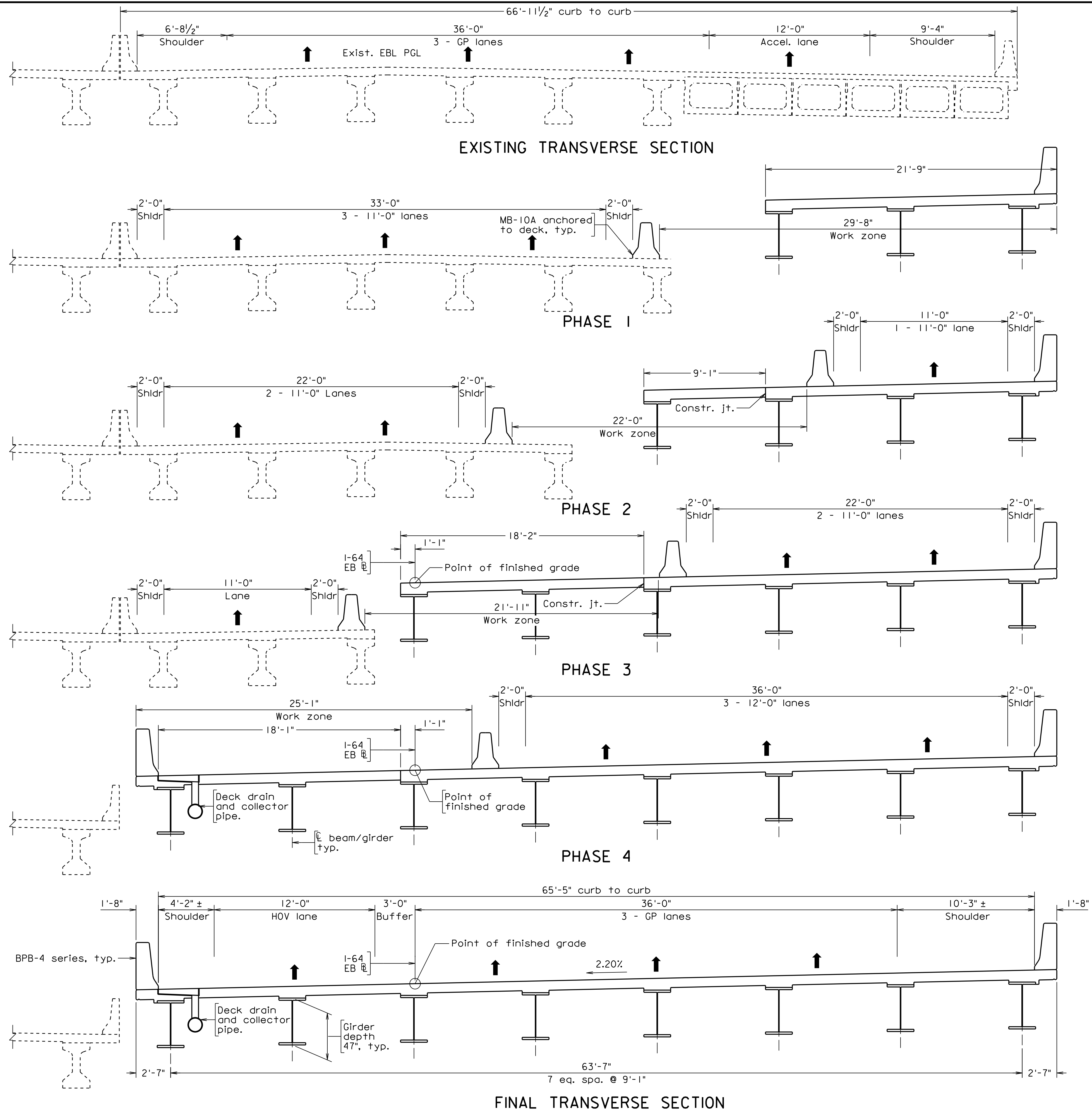
HDR Inc.
Virginia Beach, VA
STRUCTURAL ENGINEER

Scale: 3/4" = 1'-0"

© 2021, Commonwealth of Virginia

STATE	FEDERAL AID	STATE	SHEET
ROUTE	PROJECT	ROUTE	PROJECT
VA.		64	0064-121-XXX, BXXX
			4

Notes:
Minimum of three 11' lanes and 2' shoulders shall be maintained.



I64 EB Transverse Sections

HDR Inc.
Virginia Beach, VA
STRUCTURAL ENGINEER

PRELIMINARY PLANS
THESE PLANS NOT TO BE USED FOR CONSTRUCTION

COMMONWEALTH OF VIRGINIA DEPARTMENT OF TRANSPORTATION STRUCTURE AND BRIDGE DIVISION					
TRANSVERSE SECTIONS					
No.	Description	Date	Designed: MSM.....	Date	Plan No.
			Drawn:CB.....	Aug. 2021	XXX-XX
			Checked: JMF.....		4 of 4
Revisions					